

Features

- Tool free application
- High performance insulating material
- Excellent track and erosion Resistance
- Removable and reinstallable
- Facilitates for direct voltage testing
- Available in both Silicon & EPDM Rubber
- Tested and qualified at Central Power Research Institute, Bangalore

Benefits

- Simple & easy installation
- Unlimited shelf life
- Connection can be energized immediately after installation
- No need of disconnection for Testing
- Range taking capability

Right angled elastomeric reusable insulating Boot for bushings up to 17.5kv



Silicon Cold Applied Boot



EPDM Cold Applied Boot

Technical data

Reusable insulating shroud is designed to be used with all types of Terminations and is suitable for use with PILC / XLPE Cable. The modified silicon / EPDM used in shrouds gives the required flexibility and electrical characteristics to ensure sufficient dielectric strength is provided between Phase to Phase & Phase to Earth. Shroud is easy to install and is designed for disconnection and reusability. It also provides complete sealing of the cable, cable lug, and the bushing and thus prevents flashover due to rodent and high humidity.

Reusable Insulating Shrouds

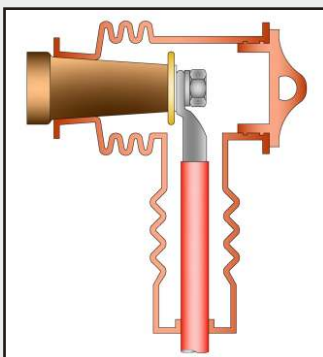
Maximum system voltage	17.5 kV
AC high voltage	36kV for 1 minute
Basic impulse level	95.0 kV
Bushing diameter	46 - 70mm
Bushing types: to DIN, CENELEC, ANSI	400/630 A
Cable cross section	35 - 400mm ²

Ordering Information

KIT NO :	KIT CONTENTS
SILCAB-T-KIT (for three core cable)	Elastomeric insulating boots Silicon grease Installation instruction.
E-CAB-T-KIT (for three core cable)	



E-CAB INSTALLATION



SILCAB INSTALLATION

Raychem RPG Limited 
Transmission & Distribution Division

Corporate Office

Mumbai
Ceat Mahal Annexe,
463, Dr. Annie Besant Rd.
Mumbai 400 030
Tel : 91-22-24937485
Fax : 91-22-24938879.

Operations

Vasai
1/62, M.G. Road,
Bassein Taluka, Vasai
Dist. Thane 401 208.
Tel : 91-250-2480048
Fax : 91-250-2480046

Pune
GAT No. 426/2B,
Chakan-Talegaon Road,
Mahalunge Village,
Taluka Khed, Dist Pune-410501
Tel : 91-02135- 320449

Branch Offices

Mumbai
Ceat Mahal Annexe,
463, Dr. A. B. Rd.
Mumbai 400 030
Tel : 91-22-24937485
Fax : 91-22-24938879.

Delhi
510-511, Ansal Bhawan,
16, Kasturba Gandhi Marg
New Delhi 110 001
Tel : 91-11-41522630
Fax : 91-11-23354250

Bangalore
2-C, Jubilee Building,
45, Museum Road
Bangalore 560 025
Tel : 91-80-51121654
Fax : 91-80-25586039

Kolkata
6, Church lane,
1st Floor,
Kolkata-700 001
Tel : 91-33-22109312
Fax : 91-33-22109313

Chennai
T8,3rd Floor,Apollo Dubai Plaza
100 Mahalingapuram Main Rd
Nungambakkam, Chennai 600 034
Tel : 91-44-65718441
Fax: 91-44-28173840

Visit us at www.raychemrpg.com